

See the legend below the circuit diagram.

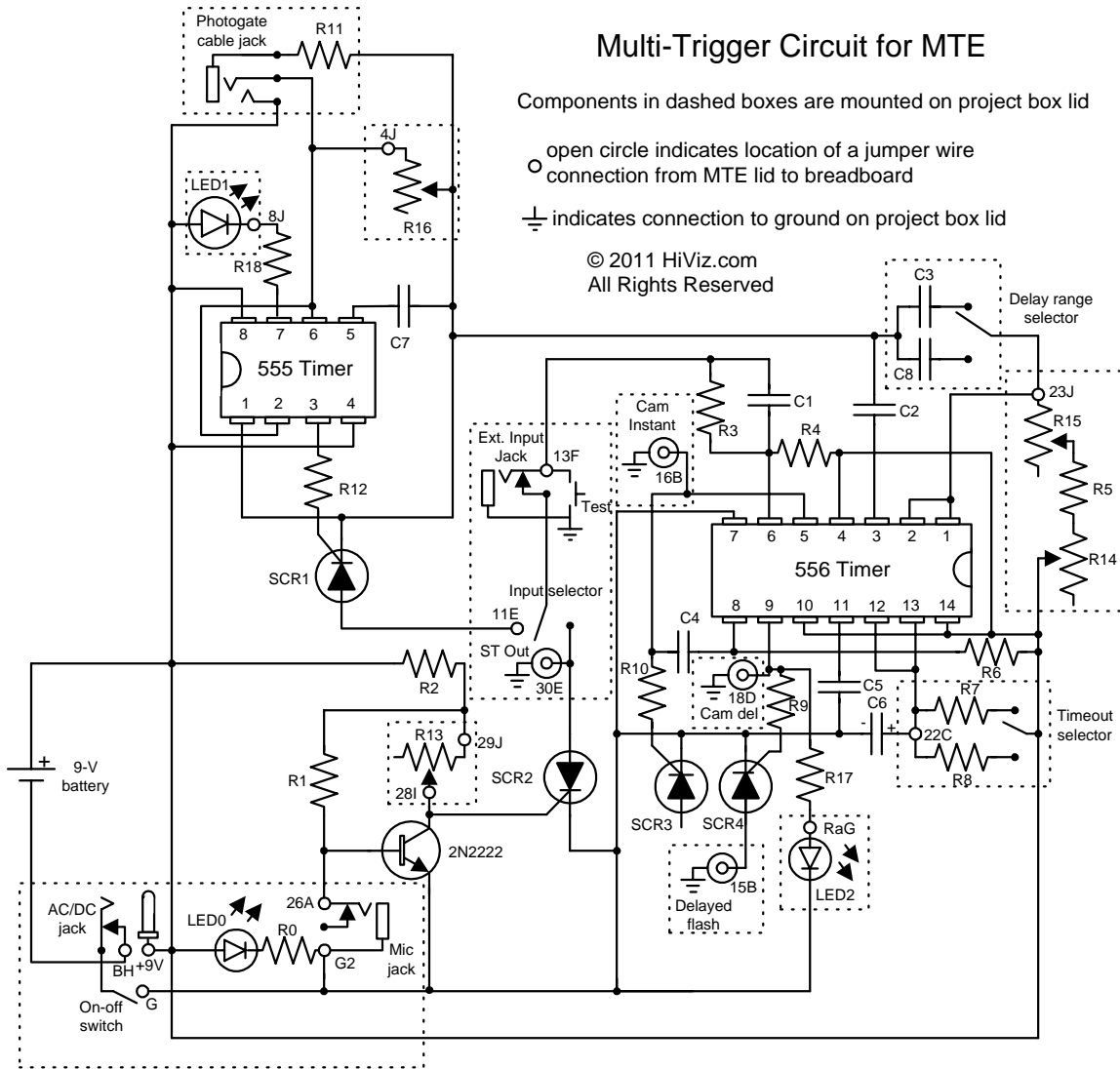
Multi-Trigger Circuit for MTE

Components in dashed boxes are mounted on project box lid

○ open circle indicates location of a jumper wire connection from MTE lid to breadboard

⊥ indicates connection to ground on project box lid

© 2011 HiViz.com
All Rights Reserved



Wires between breadboard and lid

Connection on breadboard	Connection on lid
4J	10K pot (left leg)
8J	Photogate alignment LED (-)
11E	Photogate input to delay unit
13F	Delay unit input
15B	Delayed flash output
16B	Immediate camera output
18D	Delayed camera output
22C	Timeout resistor node
23J	100k pot (right leg)
RaG	Triggering indicator LED (-)
26A	Piezo input (+)
G2	Ground
28I	1k pot (middle leg)
29J	1 k pot (right leg)
30E	Sound trigger output
G	Ground (to on-off switch)
+9V	AC/DC jack

Battery holder wires

Negative (black)	Battery holder to AC/DC jack on lid (BH)
Positive (red)	Battery holder to +9V column on breadboard

Legend of components

ID on Circuit Diagram	Value or Description	Location
R0	1k	MTE
R1	100k	Breadboard
R2	5.1k	Breadboard
R3	1M	Breadboard
R4	22k	Breadboard
R5	100	MTE
R6	22k	Breadboard
R7	1k	MTE
R8	100k	MTE
R9	100	Breadboard
R10	100	Breadboard
R11	470	MTE
R12	100	Breadboard
R13	1k variable	MTE
R14	1M variable	MTE
R15	100k variable	MTE
R16	10k variable	MTE
R17	470	Breadboard
R18	470	Breadboard
C1	0.0047uf	Breadboard
C2	0.047uf	Breadboard
C3	0.47uf	MTE
C4	0.0047uf	Breadboard
C5	0.047uf	Breadboard
C6	10uf	Breadboard
C7	0.01uf	Breadboard
C8	0.047uf	MTE
LED0	Red LED	MTE
LED1	Red LED	MTE
LED2	Red LED	MTE
2N2222	Transistor	Breadboard
SCR1	SCR	Breadboard
SCR2	SCR	Breadboard
SCR3	SCR	Breadboard
SCR4	SCR	Breadboard
555 Timer	8-pin IC	Breadboard
556 Timer	14-pin IC	Breadboard